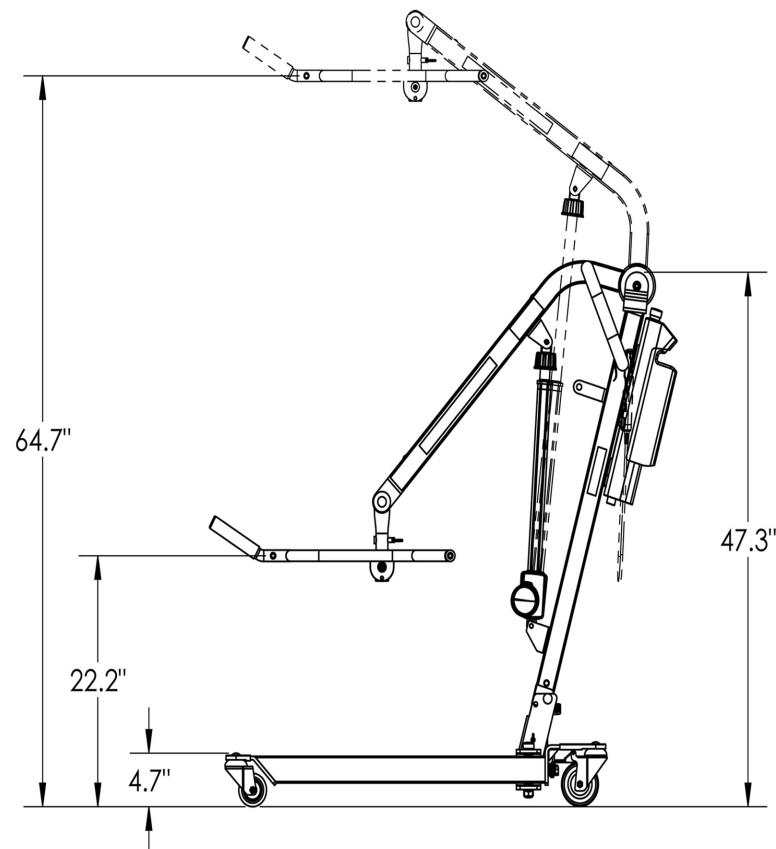
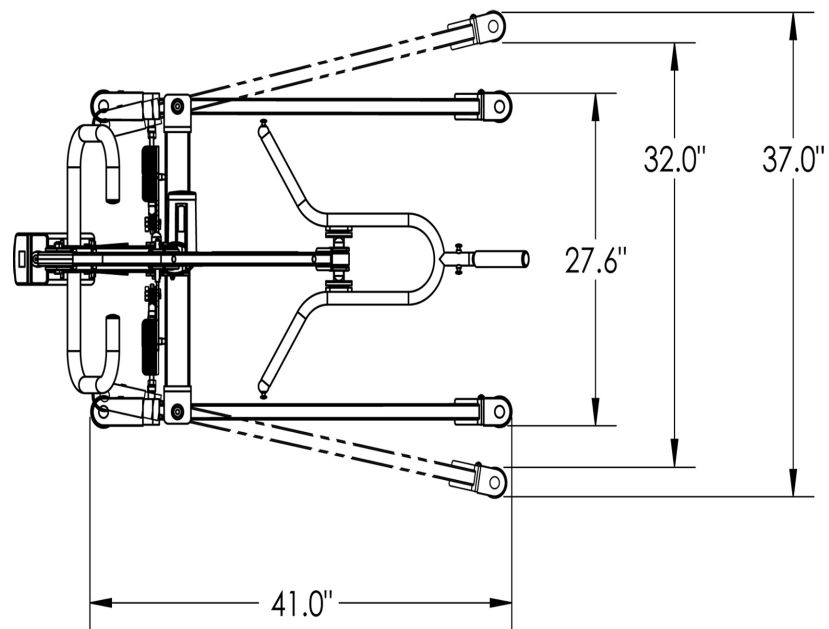




# Span F350CT

Car Transfer Patient Lift

## DIMENSIONS CHART



**SPAN**  
better science. better care.  
800-888-6752  
spanamerica.com