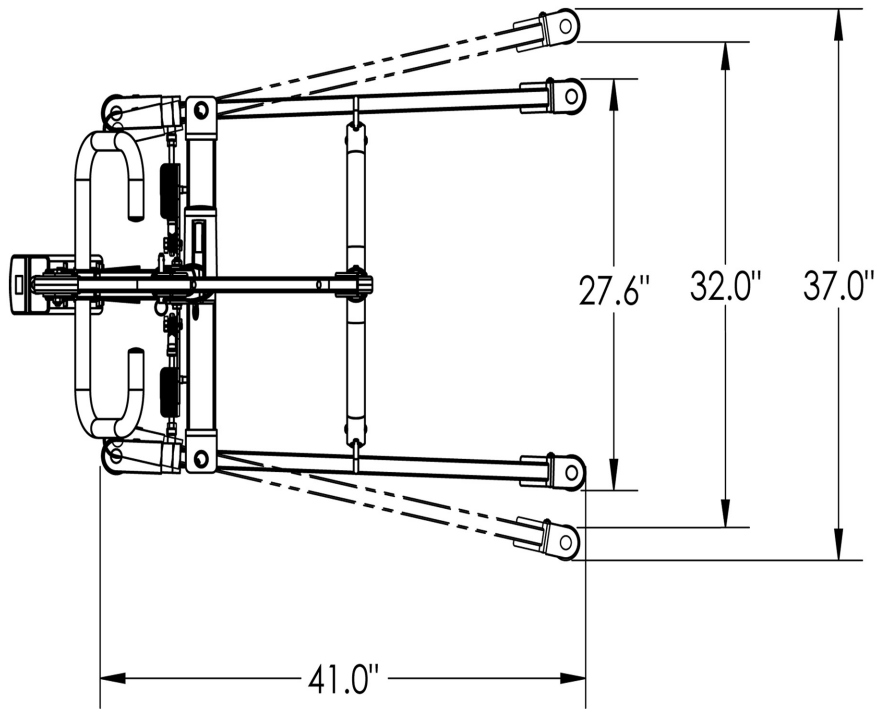


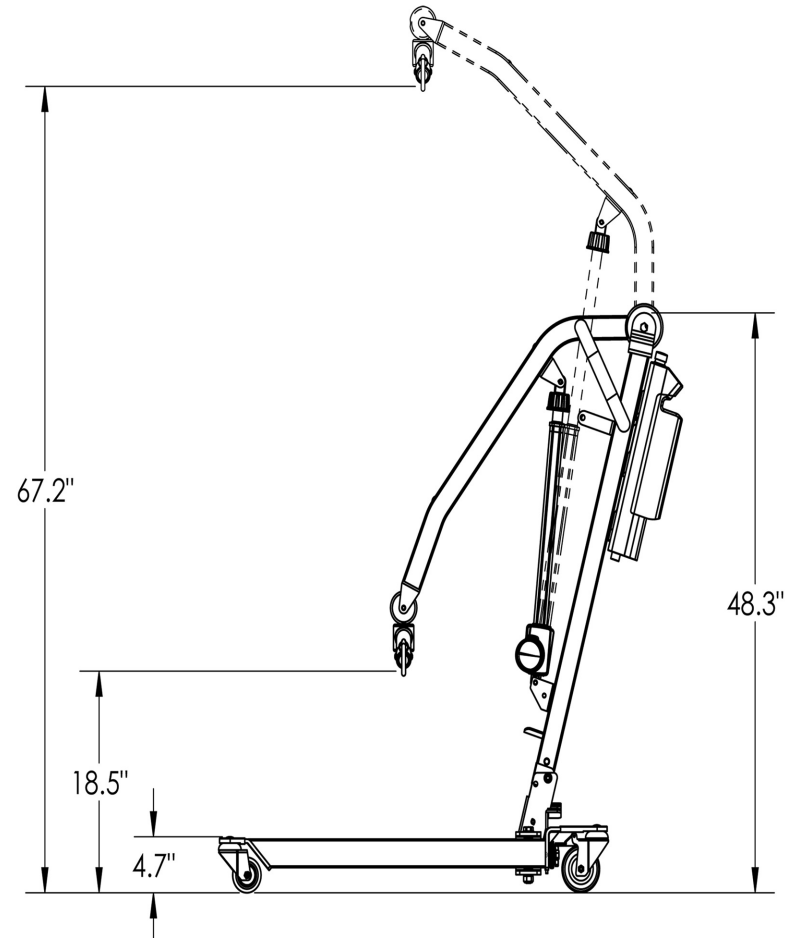


Span F400

Foldable / Portable Patient Lift



DIMENSIONS CHART



SPAN

better science. better care.

800-888-6752

spanamerica.com