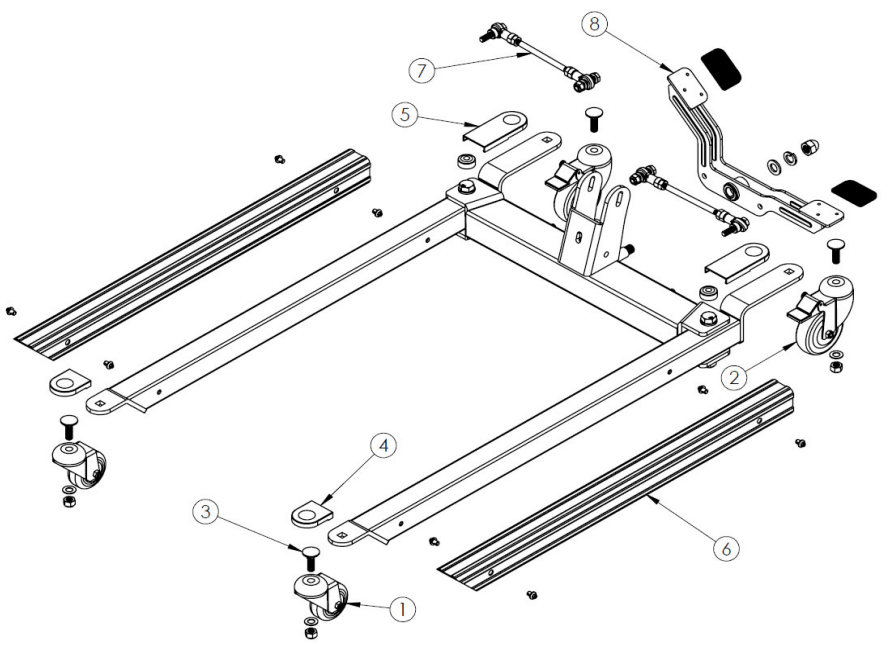


ITEM NO.	PART NUMBER	DESCRIPTION	QTY.
1	P17041	SPREADER BAR 6-PT BLUE	1
2	P17019	BLUE SBAR JOINT COVER	1
3	P17007	M10 PIN WITH KEY RING	1
4	P17018	BLUE MAST-BOOM JOINT COVER	1

PGS-230 Attachment XII – F600B SERVICE PARTS DRAWING

ITEM NO.	PART NUMBER	DESCRIPTION	QTY.
1	P17015	3" DUAL-WHEEL FRONT CASTER	1
2	P16795	REAR CASTER WITH LOCK 4", GRAY	1
3	P17000	M12 CARRIAGE BOLT, WASHER, AND LOCKNUT	1
4	P17022	BLUE FRONT CASTER COVER	1
5	P17023	BLUE REAR CASTER COVER	1
6	P17014	LEG COVER KIT, F600B	1
7	P17013	PL600 LEG OPENING LINKAGE KIT	1
8	P17016	PL600 FOOTPEDAL & HARDWARE KIT	1



ITEM NO.	PART NUMBER	DESCRIPTION	QTY.
1	P16815	FLOOR LIFT ACTUATOR FOR F600B	1
2	P11620	FLOOR LIFT HAND PENDANT REPLACEMENT	1
3	P16693	FLOOR LIFT CONTROL BOX MAST BRACKET	1
4	P17012	2 PCS - M4 SCREWS, 2 PCS - M5 SCREWS	1
5	P16694	FLOOR LIFT CONTROL BOX ONLY	1
6	P11618	FLOOR LIFT BATTERY PACK 24V	1
7	P11619	FLOOR LIFT AC CHARGER	1

